



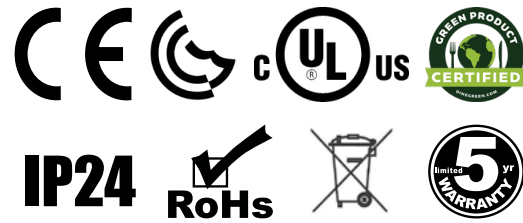
SMARTdri® Series

WORLD DRYER Intelligent High-Speed Energy Efficient Hand Dryers

SMARTdri® Series features high-speed, energy efficient, durable, hygienic hand dryers with flexible controls. A compact design is combined with an extended life motor to withstand high-demand environments. The intelligent, flexible controls allow customizing of airflow, sound quality, and heating options to fit any application.

Product Benefits

- 10 second dry time
- Energy efficient utilizing only 12% energy of traditional dryers and up to 50% less energy than competitive high-speed hand dryers.
- Intelligent on/off heating and 3-speed motor controls optimize energy efficiency and user comfort
- Extended life motor with 2-3 times longer service life than competitive high-speed dryers
- Offers two Nozzle options:
 - SMARTdri Plus - high-intensity single-port nozzle
 - SMARTdri - multi-port nozzle for user comfort
- Incorporates antimicrobial technology inhibiting the growth of bacteria, mold, and fungus extending the dryer's service life
- IP24 protection against harmful water ingress
- Automatic operation

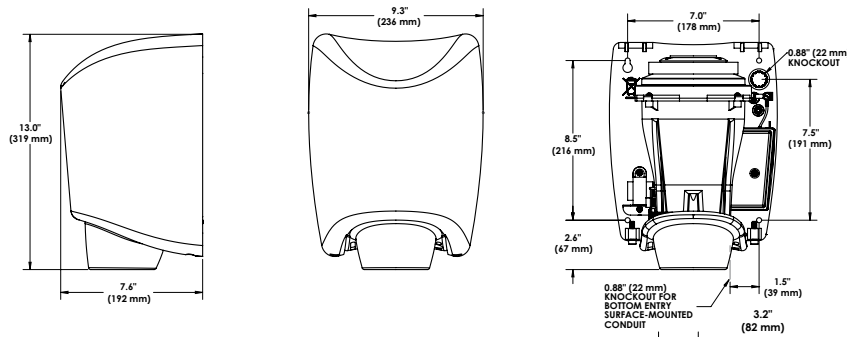


| PERFORMANCE | | |
|---|-------------------------|-------------------------|
| | SMARTdri Plus | SMARTdri |
| Dry Time: | 10 seconds | 10 seconds |
| Nozzle Type: | Single Port Nozzle | Multi-Port Nozzle |
| Air Velocity: | 250 mph (22,000 LFM) | 265 mph (23,320 LFM) |
| Air Flow: | 78 CFM | 100 CFM |
| Air Temperature: (at 70° room temperature) | 140°F | 110°F |

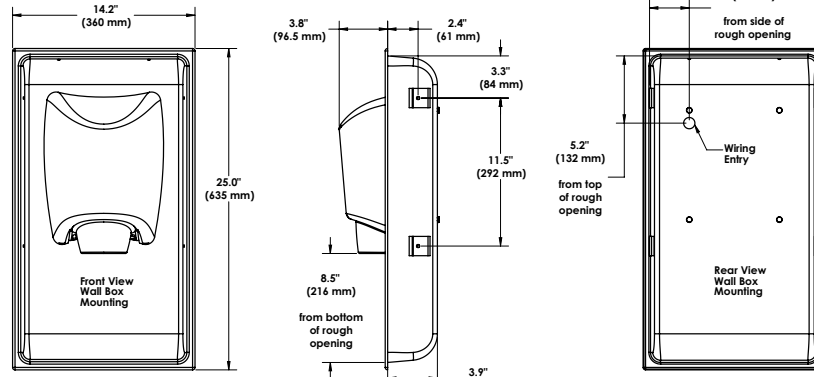
| ELECTRICAL | |
|----------------------|------------------------------------|
| Voltage: | Available in 120 V and 240V models |
| Power: | 400 - 1200 Watts |
| Frequency: | 50 / 60 Hz |
| Recommended Circuit: | Dedicated 15 Amp |

| CONSTRUCTION | |
|--------------------------------------|---|
| Cover Options (Material / Finish) | Aluminum (White, Black) Stainless Steel (Brushed and Polished Finish) |
| Motor | Thermally-protected universal type, through-flow discharge vacuum type, 1.07 HP, 23,400 RPM |
| Heating Element | Nichrome wire construction, 400 watts, with auto-reset thermal-protector, so power is disconnected if the air is not flowing |
| Electronic Controls | Dedicated voltage (120 and 240 V) |
| Activation | Automatic touch-free infrared activation with a 30-second vandal-resistant lockout feature |
| Enclosure Security | Cover attached with tamper-resistant screws; security wrench included. |
| Electrical Connection Access | Access for wall mounted junction box and for bottom-entry surface mounted conduit |
| 5 Year Limited Warranty | Warranted by the manufacturer to be free from defects in material workmanship for a period of five (5) years from the date of purchase. Warranty service include labor performed at factory as well as the repair or exchange of defective parts, at manufacturer's option. |

Surface Mounted



Recess Mounted



Placement Instruction

- Hand dryers should be spaced at least 2 feet apart, near but not over the washbasin
- In congested areas, dryers should be located to create a flow from wash basin to dryer to exit
- SMARTdri Series should be mounted at least 18" above or away from reflective surfaces, which may interfere with the automatic sensor operation.
- Dryer Quantity Recommendation:
 - Average Traffic: 1 dryer per 2 wash basins
 - Heavy Traffic: 1 dryer per wash basin
 - Industrial 54" Circular wash fountains: 4 dryers per sink

- Recommended mounting heights from floor to dryer bottom edge

| | |
|----------------------------------|--------------|
| Men's washrooms | 46" (117 cm) |
| Women's washrooms | 44" (112 cm) |
| Children's washrooms, ages 4-7 | 32" (81 cm) |
| Children's washrooms, ages 7-10 | 36" (91 cm) |
| Children's washrooms, ages 10-13 | 40" (102 cm) |
| Children's washrooms, ages 13-17 | 44" (112 cm) |
| Handicap Mounting Height | 37" (94 cm) |

Installation Guide

- SMARTdri Series hand dryers require a dedicated circuit and must be properly grounded.
- GFI circuit protection is recommended.
- One side of dryer should be mounted to a stud

SMARTdri Plus Hand Dryer

| Cover Finish / Kit | Activation | Mounting | 110-120V | 208-240V | 220-240V CE (Europe) | Unit Size (HxWxD) inch/mm | Shipping Size (HxWxD) inch/mm | Shipping Weight |
|--------------------|------------|----------|----------|----------|-------------------------|---|---|--------------------|
| Polished S/S | Automatic | Surface | K-972P2 | K4-972P2 | K48-972P2 | 12.5" x 9.3" x 7.6" 319 mm x 236 mm x 192 mm | 14.7" x 11.4" x 10.8" 375 mm x 290 mm x 275 mm | 14.4 lbs / 6.5 kgs |
| Brushed S/S | Automatic | Surface | K-973P2 | K4-973P2 | K48-973P2 | 12.5" x 9.3" x 7.6" 319 mm x 236 mm x 192 mm | 14.7" x 11.4" x 10.8" 375 mm x 290 mm x 275 mm | 14.4 lbs / 6.5 kgs |
| Aluminum White | Automatic | Surface | K-974P2 | K4-974P2 | K48-974P2 | 12.5" x 9.3" x 7.6" 319 mm x 236 mm x 192 mm | 14.7" x 11.4" x 10.8" 375 mm x 290 mm x 275 mm | 13.2 lbs / 6 kgs |
| Aluminum Black | Automatic | Surface | K-162P2 | K4-162P2 | K48-162P2 | 12.5" x 9.3" x 7.6" 319 mm x 236 mm x 192 mm | 14.7" x 11.4" x 10.8" 375 mm x 290 mm x 275 mm | 13.2 lbs / 6 kgs |

SMARTdri Hand Dryer

| Cover Finish / Kit | Activation | Mounting | 110-120V | 208-240V | 220-240V CE (Europe) | Unit Size (HxWxD) inch/mm | Shipping Size (HxWxD) inch/mm | Shipping Weight |
|--------------------|------------|----------|----------|----------|-------------------------|---|---|--------------------|
| Polished S/S | Automatic | Surface | K-972A2 | - | K48-972CE2 | 12.5" x 9.3" x 7.6" 319 mm x 236 mm x 192 mm | 14.7" x 11.4" x 10.8" 375 mm x 290 mm x 275 mm | 14.4 lbs / 6.5 kgs |
| Brushed S/S | Automatic | Surface | K-973A2 | K4-973A2 | K48-973CE2 | 12.5" x 9.3" x 7.6" 319 mm x 236 mm x 192 mm | 14.7" x 11.4" x 10.8" 375 mm x 290 mm x 275 mm | 14.4 lbs / 6.5 kgs |
| Aluminum White | Automatic | Surface | K-974A2 | K4-974A2 | K48-974CE2 | 12.5" x 9.3" x 7.6" 319 mm x 236 mm x 192 mm | 14.7" x 11.4" x 10.8" 375 mm x 290 mm x 275 mm | 13.2 lbs / 6 kgs |
| Aluminum Black | Automatic | Surface | K-162A2 | K4-162A2 | K48-162CE2 | 12.5" x 9.3" x 7.6" 319 mm x 236 mm x 192 mm | 14.7" x 11.4" x 10.8" 375 mm x 290 mm x 275 mm | 13.2 lbs / 6 kgs |