

DryBaby Changing Stations



WORLD DRYER

Durable Baby Changing Stations

World DryBaby baby changing stations offer exceptional features that enhance convenience and safety. DryBaby are meticulously designed, engineered and manufactured to meet the toughest standards in the industry.

General Product Features & Benefits

- Easy-to-clean and high-density polyethylene interior
- Easy-to-clean smooth nylon safety belt
- Safety belt adjustable with one hand
- No measurable bacterial and fungal growth
- Built-in liner dispenser
- Bag hooks on both sides for added convenience
- Resistance to Fungi ASTM G21 Pass Rating
- Resistance to Bacteria ASTM G22 Pass Rating
- ANSI compliant safety labels
- ADA compliant

ABC-300H DryBaby Horizontal Polyethylene Station

- The industry standard as the most preferred changing position
- Meets ASTM F2285 for weight bearing commercial changing stations
- CPSIA compliant to applicable sections
- Required mounting surface 16" high by 34.25" wide
- Changing surface extends 17.5" from wall in open position

ABC-300V DryBaby Vertical Polyethylene Station

- Suitable for narrow footprint space
- Meets ASTM F2285 for weight bearing commercial changing stations
- CPSIA compliant to applicable sections
- Required mounting surface 34" high by 19" wide
- Changing surface extends 34" from wall in open position

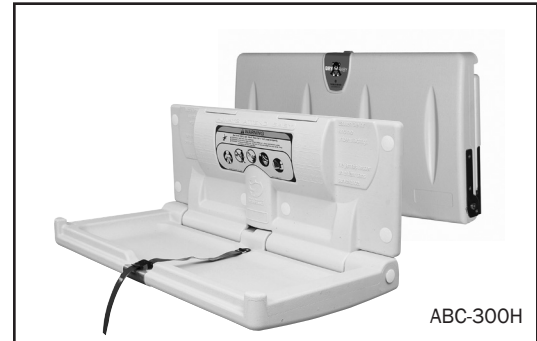
ABC-300HS DryBaby Surface Mounted Horizontal Stainless Steel Station

ABC-300HSR DryBaby Recessed Mounted Horizontal Stainless Steel Station

- Polyethylene interior with brushed stainless steel exterior
- Available in both surface mount and recessed versions.
- Meets ASTM F2285 for weight bearing commercial changing stations
- CPSIA compliant to applicable sections
- Rough-in dimension for recessed model is 35.625" W x 19.75" H
- ADA and ANSI compliant when properly installed

ABC-300BQS DryBaby Baby Quick Seat

- Provides safe, clean and secure location for child while adult is changing another child or using facilities.
- Supports up to 80 lb or 36.3 kg
- Required mounting surface 12" W x 15.25" H
- Seat extends 13.5" from wall when open



ABC-300H



ABC-300V



ABC-300HS
ABC-300HSR

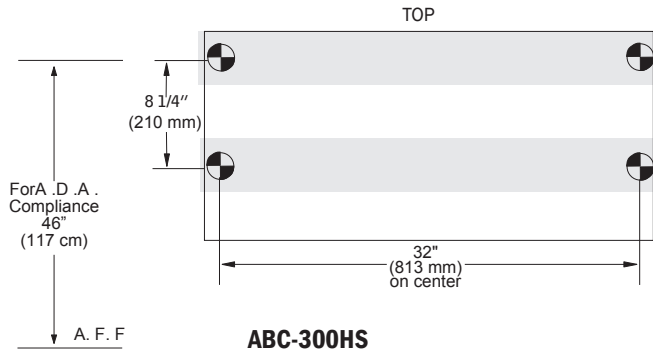


ABC-300BQS

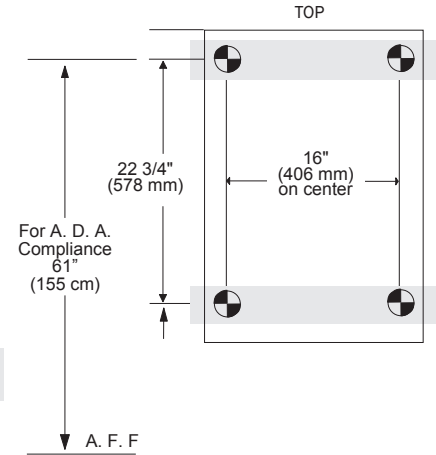
Model #	Type	Mounted	Material, Color, Note, ...	Unit Wt.	Shipping Wt.	Unit Size (HxWxD) inch/mm	Shipping Size (HxWxD) inch/mm
ABC-300H	Horizontal	Surface	Polyethylene	15 lbs 6.8 kgs	17 lbs 7.7 kgs	18" x 34.5" x 4" 457 x 876 x 100	35.5" x 18" x 4.3" 900 x 460 x 110
ABC-300V	Vertical	Surface	Polyethylene	17 lbs 7.7 kgs	19 lbs 8.6 kgs	34" x 19" x 5.5" 864 x 483 x 140	33" x 20" x 4.3" 840 x 510 x 110
ABC-300HS	Horizontal	Surface	Stainless Steel, Brushed	55 lbs 24.9 kgs	66 lbs 29.9 kgs	21.5" x 37.5" x 4" 546 x 953 x 100	43.3" x 27" x 5.8" 1100 x 685 x 145
ABC-300HSR	Horizontal	Recessed	Stainless Steel, Brushed	50 lbs 22.6 kgs	61 lbs 27.6 kgs	18" x 34.5" x 0.13" 457 x 876 x 3	41.3" x 24.5" x 5.8" 1045 x 625 x 145
ABC-300BQS	Wall Seat	Surface	Polyethylene	8 lbs 3.63 kgs	4.7 lbs 2.1 kgs	15.5" x 11.8" x 3.8" 394 x 300 x 97	16.25" x 12.25" x 4.25" 412 x 311 x 108
ABC-300L	Sanitary Bed Liners (500 qty)						

Recommended Blocking

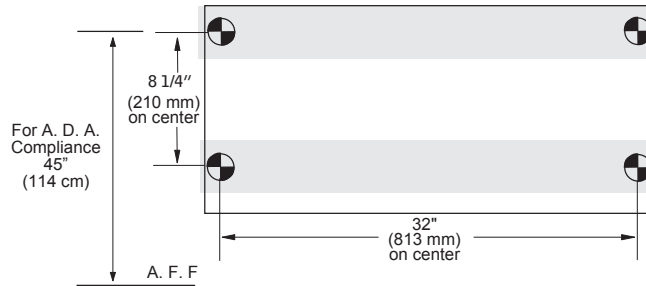
ABC-300H



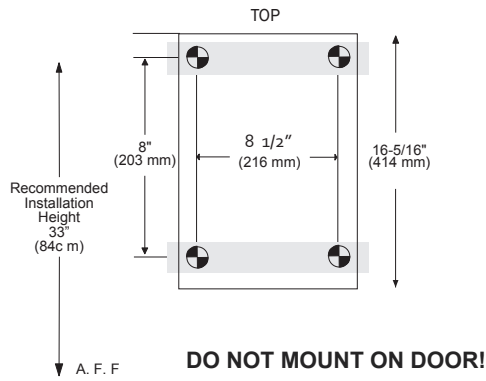
ABC-300V



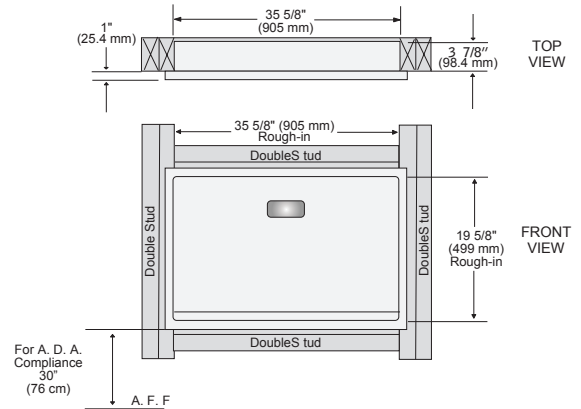
ABC-300HS



ABC-300BQS



ABC-300HSR



Installation Guide

- Hardware allows for mounting to current or new construction applications.
- Closed unit projects less than 4 inches (101 mm) from wall.
- Please see installation instruction for open unit dimensions

Certification Approved



Warranty



5 year limited warranty



5700 McDermott Drive
Berkeley, IL 60163 U.S.A.
800-323-0701
www.worlddryer.com