

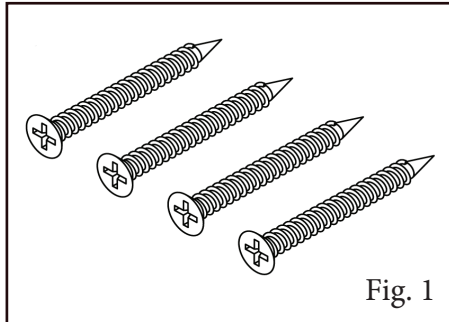
ADA-WG WALL GUARD INSTALLATION INSTRUCTIONS

(For use with all *EXTREMEAIR*[®], Advantage[™] & Global[®] hand dryers)

⚠ WARNING: DISCONNECT POWER BEFORE INSTALLING
DESUNA LA ELECTRICIDAD ANTES DE HACER REPARACIONES

⚠ WARNING: CANCER AND REPRODUCTIVE HARM – www.p65warnings.ca.gov
CÁNCER Y DAÑO REPRODUCTIVO – www.p65warnings.ca.gov

STEP 1.

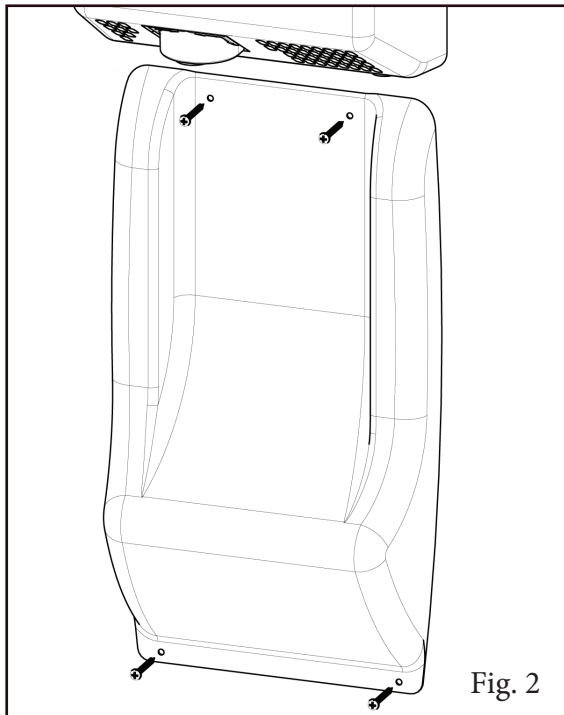


Verify all hardware is present.

(1) Stainless steel wall guard

(4) #8 x 1-1/2" stainless steel wood screw

STEP 2.



Mount the wall guard below the hand dryer as shown in Fig. 2.

Use the (4) #8x1-1/2" screws provided to attach to the wall.



AMERICAN DRYER, INC.

340 County Line Road, Bensenville, IL 60106 U.S.A.

Telephone (734) 421-2400 • Fax (734) 421-5580

www.americandryer.com • Email: sales@americandryer.com

Revised June 2018