

Model LN

New Economical and Stylish Hand Dryer

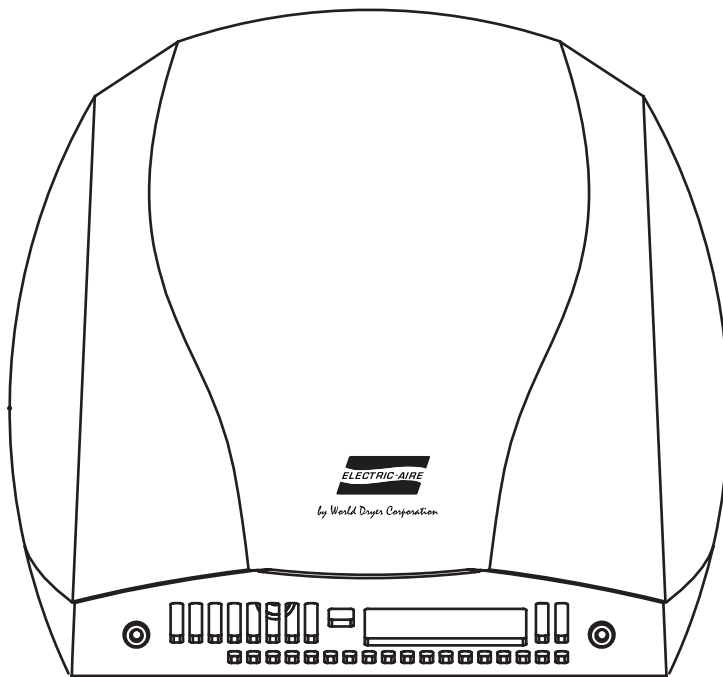
Nuevo secamanos moderno, elegante y económico
Nouveau sèche-mains élégant, économique et moderne



All LN Series

Todos los de la Serie LN

Toutes les séries LN



Please read and save these instructions. Read carefully before attempting to assemble, install, operate or service the product described. Protect yourself and others by observing all safety information. Failure to comply with instructions could result in personal injury and/or property damage. Retain instructions for future reference.

Por favor lea y guarde estas instrucciones. Léelas cuidadosamente antes de tratar de montar, instalar, operar o dar mantenimiento al producto aquí descrito. Protéjase usted mismo y a los demás observando toda la información de seguridad. No seguir las instrucciones puede ocasionar daños, tanto personales como materiales. Guarde estas instrucciones para referencia en el futuro.

Lire et conserver ces instructions. Les lire attentivement avant de commencer à assembler, installer, faire fonctionner, réparer ou entretenir l'appareil décrit. Pour se protéger et protéger autrui, observer toutes les consignes de sécurité. Le fait de négliger d'appliquer ces instructions peut entraîner des blessures et/ou des dommages matériels. Conserver ces instructions pour consultation ultérieure.



World Dryer Corporation

5700 McDermott Drive
Berkeley, IL 60163 U.S.A.
800-323-0701
www.worlddryer.com

Description

Electric-Aire hand dryer, powered by a universal brush motor, delivering 1150 Watts of drying power. This hand dryer is multi-voltage running on 115-208-230 Volt AC electrical supply. Operation is automatically controlled on/off, by an infrared sensor. This appliance is intended for use in hand drying, contributing to hygienic and cost effective hand sanitation in small business, office and light duty environments.

General Specifications

Models	Nozzle	Drying Cycle	Dimensions (WxDxH)	Weight
LN	Integral	Automatic	11.59" x 10.75" x 4.90" 294 mm x 273 mm x 124 mm	8 lbs / 3.6 kg


Electrical Specifications

Models	Type	Electrical Input*	Amperage	Watts
LN	Automatic	115 VAC, 50/ 60 Hz	10	1150
LN	Automatic	208 VAC, 50/ 60 Hz	6	1150
LN	Automatic	230 VAC, 50/ 60 Hz	5	1150


cULus Listed E19860

(*) This hand dryer is a multi-voltage appliance that will self adjust to the available supply from 115 up to 230 VAC.


General Safety Information

 **DANGER** Failure to disconnect the power source before installation or servicing can result in serious injury or death from electric shock.


- Always disconnect the power source before servicing or installing the hand dryer.

 **DANGER** Failure to properly ground this unit could result in severe electrical shock and/or death.

- This hand dryer must be properly grounded (Earthed) for safe operation. An identified ground connection point is supplied on the hand dryer's wall base.
- We recommend GFCI protection in wet or damp locations or as required by local code.

 **WARNING** Risk of fire, personal injury or property damage are possible if local codes, NEC codes or safety recommendations are not followed.

- Use only the electrical power (voltage and frequency) specified for the model hand dryer being installed.
- Connect the hand dryer to the nearest suitable distribution panel.
- To limit a voltage drop, and insure efficient operation, use wire gauge as required by local or National Electrical Code.
- Do not connect to a branch circuit with CB or fuse protection over 15 Amps. This is in compliance with The National Electrical Code #210-20.
- All automatic model hand dryers must have a dedicated 15 Amp circuit as required by Underwriters Laboratories, Inc. (UL).
- Route all field wiring away from any moving parts within the hand dryer.

 **CAUTION** Improper mounting could result in personal injury or property damage.

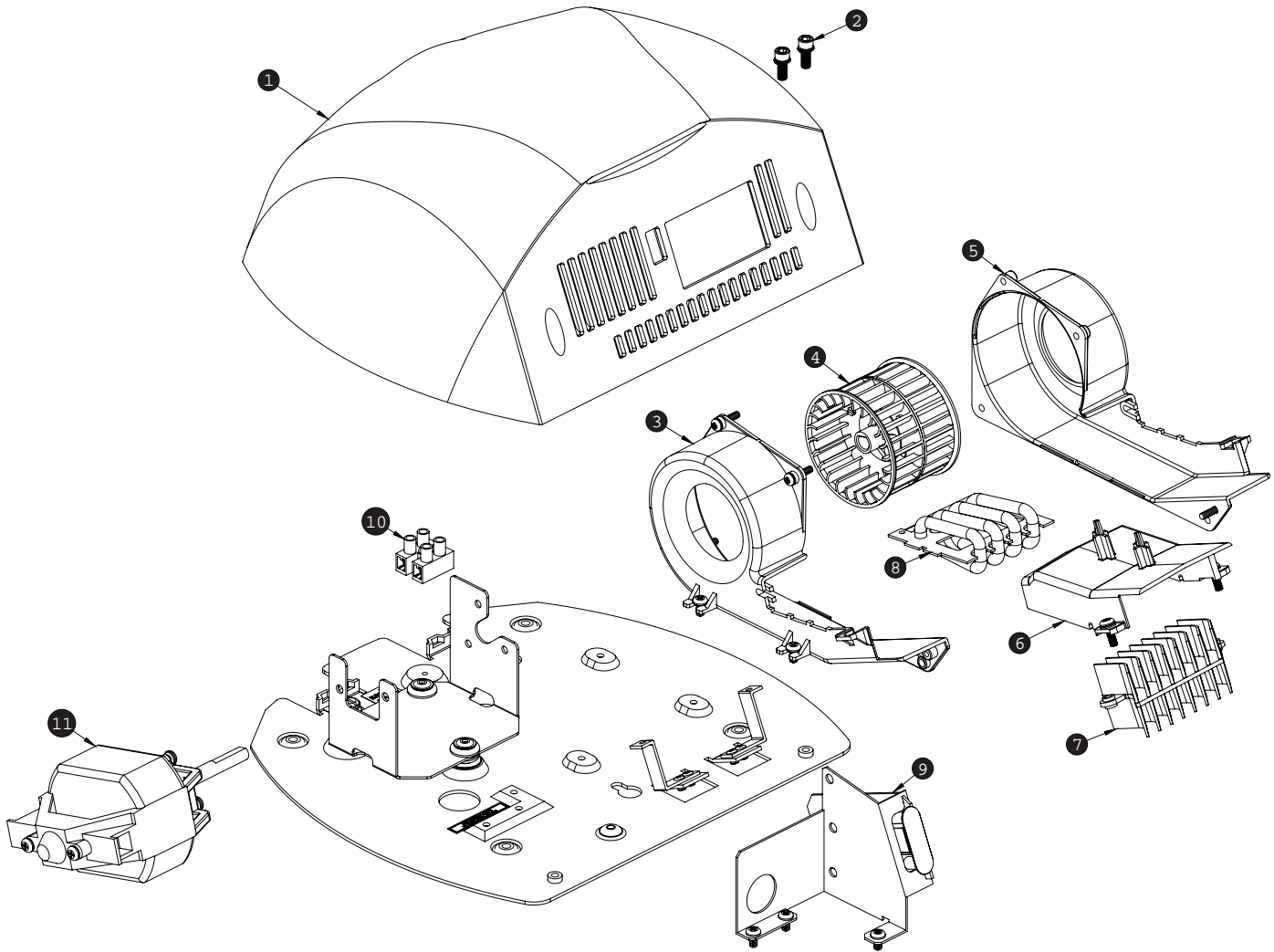
- Follow the mounting height recommendations in Table 1.

Unpacking

1. Remove all packing material. Recycling is recommended.
2. Carefully remove the hand dryer from the shipping carton, using care not to drop the appliance.
3. Inspect carefully for any damage that may have occurred during transit. Check for any loose, missing or damaged parts. If the hand dryer is damaged, promptly inform the dealer where you purchased it.

Parts List

Figure 1 - Repair Parts List For Model LN Hand Dryer



For Repair Parts, visit www.WorldDryer.com
 Please provide following information:
 - Model number
 - Serial number
 - Part description and number shown in parts list

#	Description	Part Number	Qty.
1	Cover Kit	20-834K	1
2	Screw, Cover	46-006490	2
3	Blower Housing-Left	47-006372	1
4	Blow Wheel	22-006377	1
5	Blow Housing-Right	47-006371	1
6	Blower Housing Lid	47-006373	1

#	Description	Part Number	Qty.
7	Air Outlet Baffle	12-055881	1
8	Heating Element Assembly	21-055638K	1
9	Circuit Board Assembly	16-055560K	1
10	Terminal Block	15-006531	1
11	Motor Kit	32-056450K	1

Installation

1. Disconnect the power source.
2. Remove the two cover-mounting screws. Remove the cover from the dryer.
3. Place the hand dryer base on the wall at desired location. Using Table 1 to determine the recommended mounting height. When two or more dryers are installed, they should be placed no closer than 24" (60 cm) from center to center. Mark the location of the four mounting bolt holes and the wire entry hole.
4. For recessed wiring, carry the supply wire to the dryer base plate knockout and attach with an acceptable cable clamp. The dryer requires two conductors for power plus a separate ground wire.
5. For surface wiring, remove the knockout located at the bottom left corner of the cover. Pass the supply wire according to local code, through the knockout and attach it securely to the bracket. The dryer requires two conductors for power plus a separate ground wire.
6. Attach the mechanism firmly to the wall. For wood walls or wood studs, use No. 16 screws of proper length to ensure 1" (25 mm) minimum stud penetration. For masonry walls use expansion bolts or anchors for 1/4" (6 mm) screws of proper length to ensure penetration 1/4" (6 mm) deeper than anchor. Shim if necessary to ensure that the base plate is level and flat against the wall.
7. Connect the supply wires to the terminal block where indicated. Connect the ground wire to the base plate with the ground screw.
8. Replace the cover. **Do not overtighten the screws.**

INSTALLATION MUST BE PERFORMED BY QUALIFIED ELECTRICAL PERSONNEL.

Table 1

Recommended Mounting Heights from Floor to Dryer Bottom Edge	in. (cm.)
Men's washrooms	49 (125)
Women's washrooms	47 (119)
Children's washrooms, ages 4-7	35 (89)
Children's washrooms, ages 7-10	39 (99)
Children's washrooms, ages 10-13	43 (109)
Children's washrooms, ages 13-17	47 (119)
Handicap Mounting Height	41 (104)

Maintenance

Proper maintenance should be performed on the units at least every 6 months under normal use. More frequent cleaning is required in dirty environments or heavy traffic conditions.

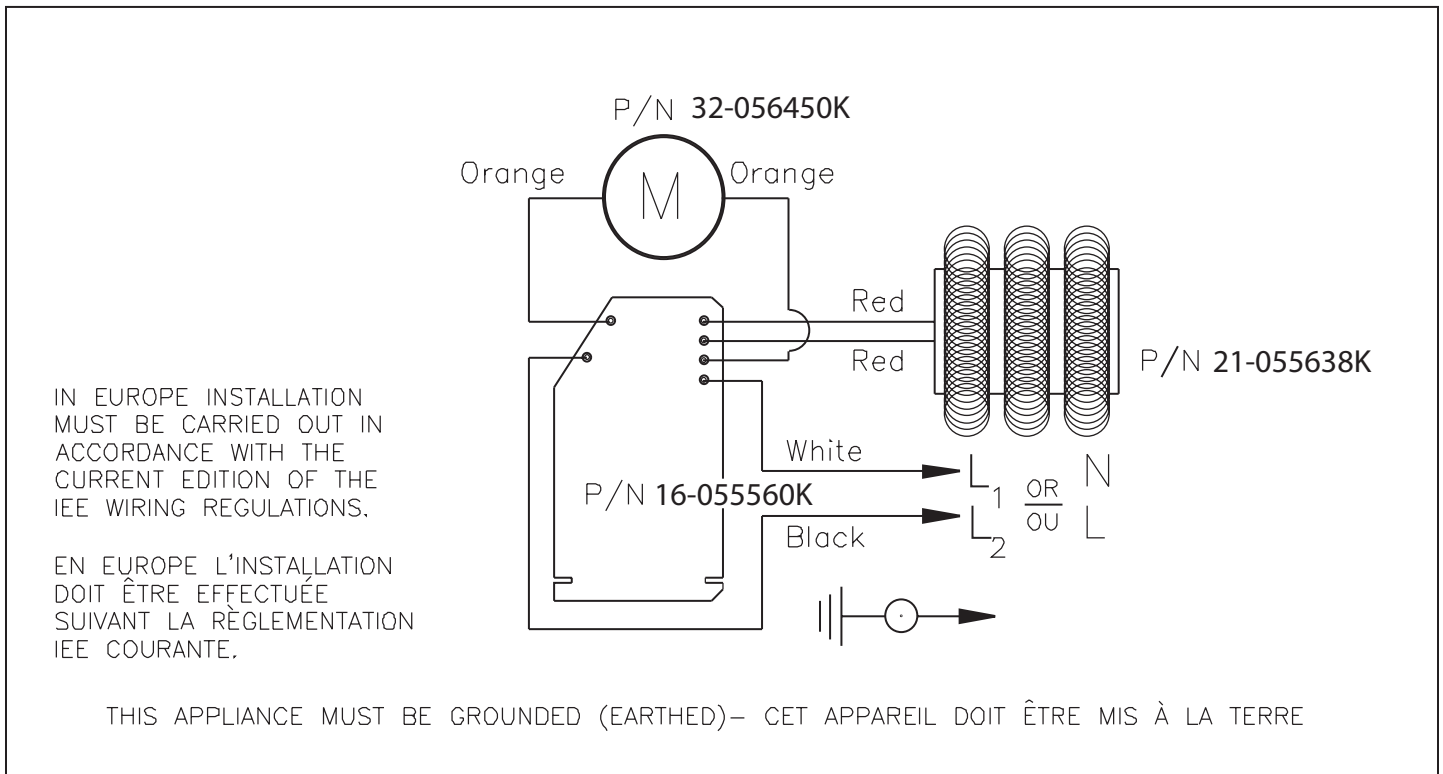
Cleaning

Cleaning and maintenance must be performed by qualified electrical personnel.

1. Disconnect the electrical supply
2. Use the security hex driver to remove the two cover-mounting screws
3. Remove the cover
4. Clean all dust and lint from the interior of the dryer using a soft brush and vacuum.
5. Replace the cover. Do not over tighten the screws
6. Wipe the cover with a damp cloth. Never use abrasives to clean the cover

Wiring Diagram

Figure 2



Troubleshooting Chart

Symptom	Possible Cause(s)	Corrective Action
Dryer will not run	Defective circuit board	<ol style="list-style-type: none"> 1. First ensure that the breaker supplying the dryer is operational 2. If it is, disconnect the power and remove the dryer cover. Taking suitable precautions to avoid shock hazard, reconnect the power and check for voltage at the wire leads 3. If there is power and the dryer will not run, replace the circuit board
Dryer cycles by itself, runs all the time, or is not sensitive enough	Defective circuit board	<ol style="list-style-type: none"> 1. Ensure that there is no obstruction on or in front of the infra-red lens 2. Disconnect the power. Remove the dryer cover and the screws holding the circuit board. Ensure that there are no obstructions between the infra-red "eyes" on the circuit board and the lens 3. If the problem persists, replace the circuit board
Elements get hot but the fan motor does not turn	Defective fan motor	<ol style="list-style-type: none"> 1. Disconnect the power. Remove the dryer cover and check for obstructions in the fan housings 2. Damaged fans must be replaced 3. If there are no obstructions, replace the motor
Fan motor runs but the element does not get hot	Loose or damaged wires or defective element	<ol style="list-style-type: none"> 1. Disconnect the power and remove the dryer cover. Check for loose or damaged wires. Remove the access cover on the blower housing. Check the element for signs of burning or breakage. Damaged element must be replaced 2. If the element does not appear damaged, disconnect it at the circuit board and check for continuity across the two element wires. An open circuit indicates damage to the integral temperature limit control. If this is the case, replace the element

Limited Warranty

ELECTRIC-AIRE LIMITED TWO – YEAR WARRANTY. World Warm Air Hair Dryer, Model covered in this manual, is warranted by World Dryer Corporation to the original user against defects in workmanship or materials under normal use for 2 years after date of purchase. Any part which is determined to be defective in material or workmanship and returned to an authorized service location, as World designates, shipping costs prepaid, will be, as the exclusive remedy, repaired or replaced at World's option. For limited warranty claim procedures, see PROMPT DISPOSITION below. This limited warranty gives purchasers specific rights from jurisdiction to jurisdiction.

LIMITATION OF LIABILITY. To the extent allowable under applicable law, World's liability for consequential and incidental damages is expressly disclaimed. World's liability in all events is limited to and shall not exceed the purchase price paid.

WARRANTY DISCLAIMER. World has made a diligent effort to provide product information and illustrate the products in this literature accurately; however, such information and illustrations are for the sole purpose of identification, and do not express or imply a warranty that the products are MERCHANTABLE, or FIT FOR A PARTICULAR PURPOSE, or that the products will necessarily conform to the illustrations or descriptions. Except as provided below, no warranty or affirmation on fact, expressed or implied, other than as stated in the "LIMITED WARRANTY" above is made or authorized by World.

PRODUCT SUITABILITY. Many jurisdictions have codes and regulations governing sales, construction, installation, and/or use of products for certain purposes, which may vary from those in neighboring areas. While World attempts to assure that the products comply with such codes, it cannot guarantee compliance, and cannot be responsible for how the product is installed or used. Before purchase and use of a product, review the product application, and all applicable national and local codes and regulations, and be sure that the product, installation, and use will comply with them.

Certain aspects of disclaimers are not applicable to consumer products; e.g., (a) some jurisdictions do not allow the exclusion or limitation of incidental or consequential damages, so the above limitation or exclusion may not apply to you; (b) also, some jurisdictions do not allow a limitation on how long an implied warranty lasts, consequentially the above limitation may not apply to you; and (c) by law, during the period of this Limited Warranty, and implied warranties of implied merchantability or fitness for particular purpose applicable to consumer products purchased by consumers, may not be excluded or otherwise disclaimed.

Manufactured by World Dryer Corporation, Berkeley, Illinois 60163 U.S.A.

PROMPT DISPOSITION. World will make a good faith effort for prompt correction or other adjustment with respect to any product which proves to be defective within limited warranty. For any product believed to be defective within limited warranty, first write or call dealer from whom the product was purchased. Dealer will give additional directions. If unable to resolve satisfactorily, write to World, giving dealer's name, address, date, and number of dealer's invoice, and describing the nature of defect. Title and risk of loss pass to buyer on delivery to common carrier. If product was damaged in transit to you, file claim with carrier.

Descripción

El secamanos Electric-Aire, impulsado por un motor universal con escobillas, suministra 1150 vatios de potencia de secado. Este secamanos es multivoltaje y funciona con un suministro eléctrico de 115-208-230 voltios de CA. Un sensor infrarrojo activa o desactiva automáticamente la función de la unidad. Este aparato ha sido diseñado para uso como un secador de manos, lo cual contribuye a una limpieza higiénica y costo-efectiva de las manos en entornos de servicio liviano, oficinas y pequeños negocios.

Especificaciones Generales

Modelos	Boquilla	Tiempo de secado	Dimensiones (A x Al x P)	Peso
LN	Integral	Automático	294 x 124 x 273 mm (11,59 x 4,90 x 10,75 pulg.)	3,6 kg / 8 lb

Especificaciones del Sistema Eléctrico

Modelos	Tipo	Entrada eléctrica*	Amperaje	Vatios
LN	Automático	115 VCA, 50/60 Hz	10	1150
LN	Automático	208 VCA, 50/60 Hz	6	1150
LN	Automático	230 VCA, 50/60 Hz	5	1150

Clasificación cULus E19860

(*) Este secamanos es un aparato multivoltaje que se autoajustará al suministro eléctrico disponible, desde 115 hasta 230 VCA.

Información de Seguridad General

⚠ PELIGRO No desconectar la fuente de alimentación eléctrica antes de realizar la instalación o el mantenimiento puede resultar en lesiones graves o la muerte debido a un choque eléctrico.

- Siempre desconecte la fuente de alimentación antes de instalar el secamanos o darle mantenimiento.

⚠ PELIGRO No conectar correctamente a tierra esta unidad puede resultar en un choque eléctrico grave y/o la muerte.

- Para utilizar este secamanos sin peligro, debe conectarse a tierra correctamente. En la base mural del secamanos se identifica un punto de conexión a tierra.
- Recomendamos utilizar un protector GFCI (interruptor de circuito de fallo a tierra) en emplazamientos mojados o húmedos, o donde lo exija el código local.

⚠ ADVERTENCIA Los siguientes: riesgo de incendio, lesiones personales o daño a la propiedad son posibles si no se cumple con los códigos locales, el código eléctrico nacional (NEC) estadounidense o las recomendaciones de seguridad.

- Utilice únicamente la energía eléctrica (voltaje y frecuencia) especificada para el modelo de secamanos que se esté instalando.
- Conecte el secamanos en el panel de distribución adecuado más cercano.
- Para limitar las caídas de voltaje, y garantizar un funcionamiento eficiente, utilice el tamaño adecuado de conductor de acuerdo con los requisitos de su localidad o del código eléctrico nacional.
- No conecte la unidad en un circuito ramal con protección de un cortacircuito o fusible de más de 15 amperios. Esto es de acuerdo con la norma #210-20 del Código Eléctrico Nacional.
- Todos los modelos automáticos de secamanos deben tener un circuito dedicado de 15 amperios para satisfacer los requisitos de Underwriters Laboratories, Inc. (UL).
- Encamine todo el cableado realizado durante la instalación lejos de todas las partes móviles dentro del secamanos.

⚠ ATENCIÓN El montaje incorrecto puede ocasionar lesiones personales o daños materiales.

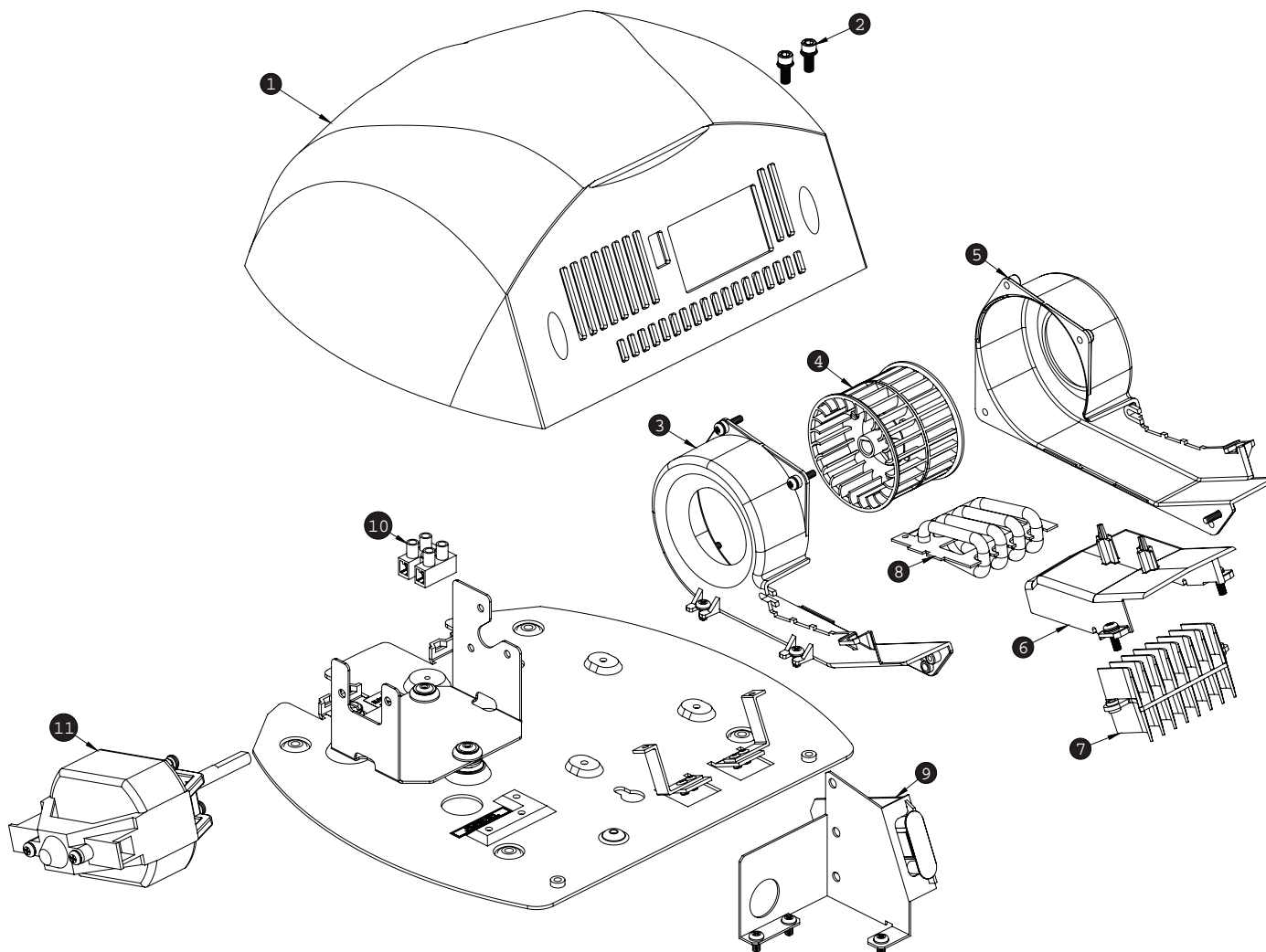
- Observe las alturas de montaje recomendadas en la Tabla 1.

Desembalaje

1. Retire todos los materiales de embalaje. Se recomienda reciclar los materiales.
2. Extraiga cuidadosamente el secamanos de la caja de envío, sin dejar caer el aparato.
3. Inspeccione el producto cuidadosamente para verificar si se han producido daños durante el transporte. Revise para verificar si hay partes sueltas, que faltan o que están dañadas. Si el secamanos está averiado, informe prontamente al distribuidor que se lo haya vendido.

Lista de Partes

Figura 1 – Ilustración de las Partes de Reparación para el Secamanos Modelo LN



Para información sobre repuestos,
visite www.WorldDryer.com
Por favor proporcione la siguiente información:

- Número de modelo
- Número de serie
- Descripción de la pieza y número indicado en la lista de partes

#	Descripción	Número de Parte	Cant.
1	Juego de cubierta	20-834K	1
2	Tornillo de la cubierta	46-006490	2
3	Alojamiento izquierdo del soplador	47-006372	1
4	Rueda del soplador	22-006377	1
5	Alojamiento derecho del soplador	47-006371	1
6	Cubierta del alojamiento del soplador	47-006373	1

#	Descripción	Número de Parte	Cant.
7	Deflector de la salida de aire	12-055881	1
8	Conjunto del elemento calentador	21-055638K	1
9	Conjunto de la placa de circuitos	16-055560K	1
10	Bloque de terminales	15-006531	1
11	Juego de motor	32-056450K	1

Instalación

1. Desconecte la fuente de alimentación.
2. Retire los dos tornillos de montaje de la cubierta. Retire la cubierta del secador.
3. Coloque la base del secamanos en la pared en el lugar deseado. Utilice la Tabla 1 para determinar la altura de montaje recomendada. Cuando se instalan dos o más secadores, estos deben colocarse a no menos de 60 cm (24 pulg.) de centro a centro uno de otro. Marque la posición de los cuatro agujeros para los pernos de montaje y el agujero de entrada del cable.
4. Para un cableado empotrado, tienda el cable de suministro hasta el agujero ciego en la placa base del secador y sujételo con una abrazadera de cable aceptable. El secador requiere dos conductores para la potencia más un conductor de tierra separado.
5. Para un cableado superficial, destape el agujero ciego que está situado en la esquina inferior izquierda de la cubierta. Pase el cable de suministro de acuerdo con los códigos locales, a través del agujero ciego y sujételo firmemente en el soporte. El secador requiere dos conductores para la potencia más un conductor de tierra separado.
6. Instale firmemente el mecanismo en la pared. Para paredes de madera o montantes de madera, utilice tornillos número 16 de longitud adecuada para garantizar una penetración de 25 mm (1 pulg.) como mínimo en el montante. Para paredes de mampostería, utilice pernos de expansión o anclas para tornillos de 6 mm (1/4 pulg.) de longitud adecuada para garantizar que la penetración sea 6 mm (1/4 pulg.) más profunda que el ancla. Coloque calzos según sea necesario para garantizar que la placa base esté nivelada y plana contra la pared.
7. Conecte los conductores de suministro en el bloque de terminales, donde se indica. Conecte el conductor de tierra en la placa base con el tornillo de tierra.
8. Vuelva a instalar la cubierta. **No apriete los tornillos demasiado.**

LA INSTALACIÓN DEBE SER REALIZADA POR PERSONAL ELÉCTRICO CALIFICADO.

Tabla 1

Alturas de montaje recomendadas desde el suelo hasta la parte inferior del secamanos	cm (pulg.)
Baños de hombres	125 (49)
Baños de mujeres	119 (47)
Baños de niños, 4 a 7 años de edad	89 (35)
Baños de niños, 7 a 10 años de edad	99 (39)
Baños de niños, 10 a 13 años de edad	109 (43)
Baños de niños, 13 a 17 años de edad	119 (47)
Altura de montaje para discapacitados	104 (41)

Mantenimiento

Se les debe dar un mantenimiento adecuado a las unidades al menos a cada 6 meses bajo uso normal. Una limpieza más frecuente es necesaria en ambientes sucios o en condiciones de tráfico pesado.

Limpieza

Toda limpieza y mantenimiento deben ser realizados por personal eléctrico calificado.

1. Desconecte el suministro eléctrico.
2. Utilice la llave hexagonal de seguridad para extraer los dos tornillos de montaje de la cubierta.
3. Retire la cubierta.
4. Limpie todo el polvo y todas las pelusas del interior del secador usando una escobilla suave y una aspiradora.
5. Vuelva a instalar la cubierta. No apriete los tornillos demasiado.
6. Limpie la cubierta con paño suave. Nunca use abrasivos para limpiar la cubierta.

Cableado Daigram

Figure 2

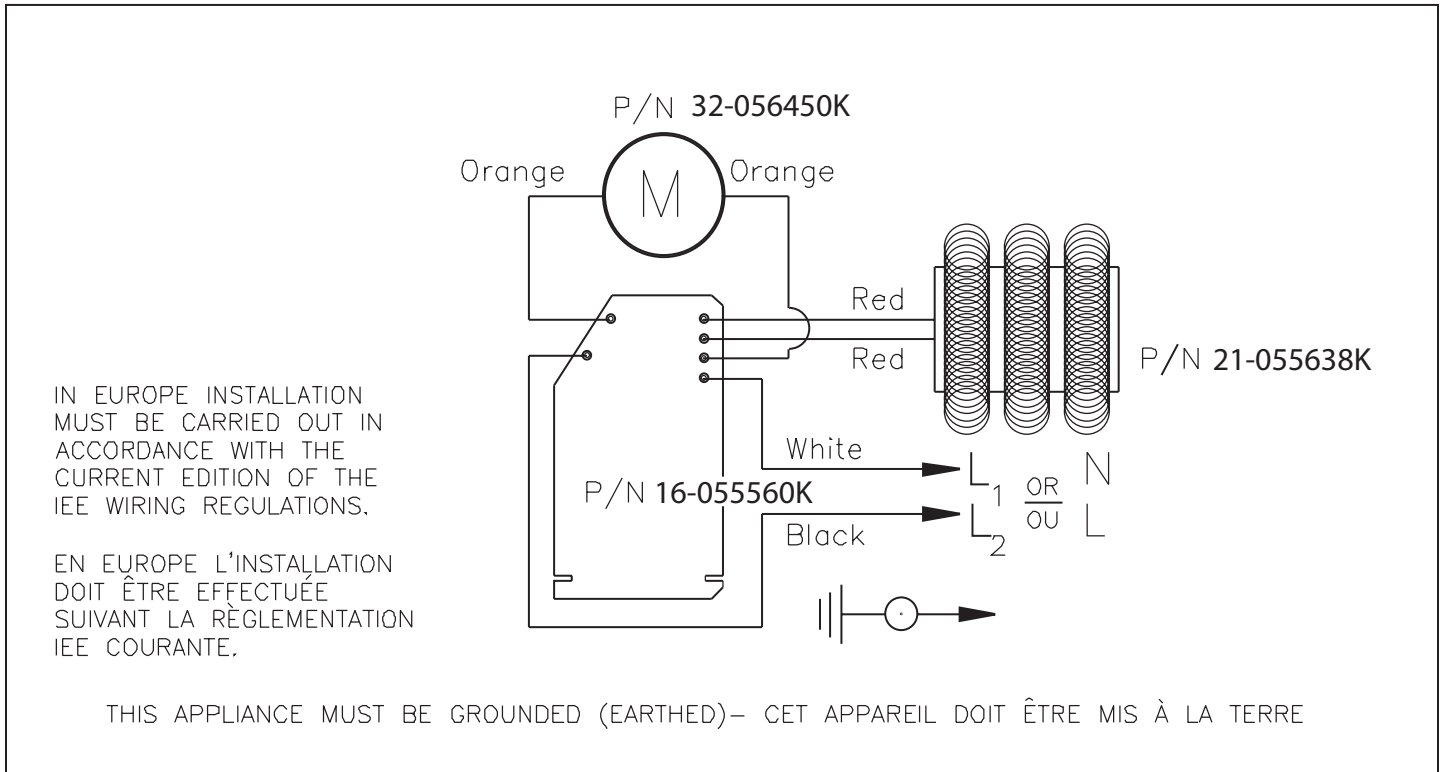


Tabla de Identificación de Problemas

Síntoma	Causa(s) Posible(s)	Medida Correctiva
El secador no funciona	Placa de circuitos defectuosa	<ol style="list-style-type: none"> 1. Primero asegúrese que el cortacircuito que suministra al secador funcione correctamente 2. Si es así, desconecte la potencia y desmonte la cubierta del secador. Tomando las precauciones adecuadas para evitar un choque eléctrico, vuelva a conectar la potencia y verifique el voltaje en los conductores de acometida 3. Si hay potencia y el secador no funciona, reemplace la placa de circuitos
El secador cicla por sí mismo, funciona todo el tiempo, o no es suficientemente sensible	Placa de circuitos defectuosa	<ol style="list-style-type: none"> 1. Asegúrese que no haya ninguna obstrucción sobre o en frente de la lente infrarroja 2. Desconecte la potencia. Desmonte la cubierta del secador y extraiga los tornillos que sujetan la placa de circuitos. Asegúrese que no haya ninguna obstrucción entre los "ojos" infrarrojos en la placa de circuitos y la lente 3. Si el problema persiste, reemplace la placa de circuitos
El elemento se calienta pero el motor del ventilador no funciona	Ventilador defectuoso; Motor defectuoso	<ol style="list-style-type: none"> 1. Desconecte la potencia. Desmonte la cubierta del secador y verifique que no haya obstrucciones en los alojamientos del ventilador 2. Los ventiladores dañados se deben reemplazar 3. Si no hay obstrucciones, reemplace el motor
El motor del ventilador funciona pero el elemento no calienta	Conductores sueltos o dañados o elemento defectuoso	<ol style="list-style-type: none"> 1. Desconecte la potencia y desmonte la cubierta del secador. Verifique que los cables no estén sueltos ni dañados. Retire la cubierta de acceso en el alojamiento del soplador. Revise los elementos para ver si exhiben señales de quemadura o rotura. Los elementos dañados se deben reemplazar 2. Si el elemento no aparenta estar dañado, desconéctelo en la placa de circuitos y verifique su continuidad a través de los dos conductores del elemento. Un circuito abierto indica que el control de límite de temperatura integral está dañado. Si es así, reemplace el elemento

Garantía Limitada

GARANTÍA LIMITADA DE DOS AÑOS DEL ELECTRIC-AIRE. World Dryer Corporation le garantiza al usuario original que el modelo del secamano de aire caliente World Dryer tratado en este manual estará libre de defectos de construcción y materiales si se somete a un uso normal por dos años a partir de la fecha de compra. Cualquier pieza que se halle defectuosa, ya sea por materiales o construcción, y se devuelva a un centro de reparación autorizado, según lo indique World Dryer, con los costos de envío pagados por adelantado, se reparará o reemplazará, como remedio exclusivo, a la discreción de World Dryer. Para información relacionada con los procedimientos de reclamación provistos por la garantía limitada, consulte más adelante la sección ATENCIÓN OPORTUNA. Esta garantía limitada confiere al comprador derechos específicos que varían de una jurisdicción a otra.

LÍMITES DE RESPONSABILIDAD. En la medida en que las leyes aplicables lo permitan, se excluye expresamente la responsabilidad de World Dryer por daños indirectos o menores. La responsabilidad de World Dryer se limita al precio de compra pagado, al cual no sobrepasará.

EXCLUSIÓN DE RESPONSABILIDAD DE LA GARANTÍA. World Dryer se ha esforzado diligentemente en proporcionar a través de este manual información e ilustraciones concernientes al producto; sin embargo, esta información y estas ilustraciones tienen como único fin la identificación del producto, y no expresan ni implican garantía de que los productos sean VENDIBLES o ADECUADOS A UN PROPÓSITO EN PARTICULAR, ni que se ajusten necesariamente a las ilustraciones o descripciones. Con excepción de lo que se establece a continuación, World Dryer no hace ni autoriza ninguna garantía o afirmación de hecho, expresa o implícita, que no se estipule en la "GARANTÍA LIMITADA" anterior.

ADECUACIÓN DEL PRODUCTO. Muchas jurisdicciones tienen códigos o regulaciones sobre la venta, el diseño, la instalación y/o el uso de productos para ciertas aplicaciones; dichas leyes pueden variar de un área a otra. Si bien World Dryer trata de que los productos cumplan con estos códigos, no puede garantizar su cumplimiento ni puede hacerse responsable de la forma en que se instale o utilice el producto. Antes de comprar y utilizar el producto, revise su aplicación y todos los códigos y reglamentos nacionales y locales aplicables, y asegúrese de que el producto, la instalación y el uso lo cumplan.

Ciertos aspectos de las limitaciones de responsabilidad no se aplican a los productos de consumo; es decir (a) algunas jurisdicciones no permiten la exclusión o limitación de daños menores o indirectos, por lo cual la limitación o exclusión anterior quizás no se aplique en su caso; (b) asimismo, algunas jurisdicciones no permiten limitar el plazo de las garantías implícitas, por lo cual la limitación anterior quizás no se aplique en su caso; y (c) por ley, mientras estén vigentes, no pueden excluirse ni de ninguna otra manera denegarse la Garantía Limitada y las garantías implícitas de comerciabilidad o idoneidad para un propósito en particular implícitas que corresponden a los productos de consumo adquiridos por los consumidores. Fabricado por World Dryer Corporation, Berkeley, Illinois 60163 EE.UU.

ATENCIÓN OPORTUNA. World Dryer hará un esfuerzo de buena fe para corregir oportunamente o hacer otros ajustes relacionados con cualquier producto que resulte defectuoso dentro de los términos de esta garantía limitada. En el caso de que encuentre un producto defectuoso y que esté cubierto dentro de los límites de esta garantía haga el favor de escribir primero, o llame, al distribuidor a quien le compró el producto. El distribuidor le dará las instrucciones adicionales. Si no logra resolver el problema de forma satisfactoria, escriba a World Dryer, y proporcione el nombre y la dirección del distribuidor, así como la fecha y el número de su factura, y describa la naturaleza del defecto. La propiedad del artículo y el riesgo de pérdida pasan al comprador en el momento de la entrega del artículo a la compañía de transporte. Si el producto se daña durante el transporte, debe presentar su reclamo a la compañía transportista.

Description

Le sèche-mains Electric-Aire à moteur universel avec balais offre une puissance de séchage de 1 150 watts. Ce sèche-mains est un appareil multitenion qui fonctionne sur une alimentation électrique de 115-208-230 V c.a. Le fonctionnement est assuré par un capteur infrarouge qui commande la mise en marche/l'arrêt du sèche-mains automatiquement. Cet appareil est conçu pour sécher les mains et contribue d'une manière hygiénique et économique aux soins de propreté des mains dans les entreprises et les bureaux de petite taille et les environnements de travail léger.

Caractéristiques générales

Modèle	Buse	Cycle de séchage	Dimensions (Lar. x H x P)	Poids
LN	Intégrale	Automatique	294 x 273 x 124 mm (11,59 x 10,75 x 4,90 po)	3,6 kg / 8 lb

Caractéristiques électriques

Modèle	Type	Consommation électrique*	Intensité (A)	Watts
LN	Automatique	115 V c.a., 50/60 Hz	10	1 150
LN	Automatique	208 V c.a., 50/60 Hz	6	1 150
LN	Automatique	230 V c.a., 50/60 Hz	5	1 150

Homologation cULus E19860

(*) Ce sèche-mains est un appareil multitenion dont le réglage s'effectue automatiquement en fonction de l'alimentation disponible, de 115 V c.a. à 230 V c.a.

Consignes générales de sécurité

DANGER

Le fait de ne pas débrancher la source d'alimentation avant de procéder à l'installation, à la réparation ou à l'entretien peut entraîner des blessures graves ou mortelles résultant d'un choc électrique.

- Toujours débrancher la source d'alimentation avant de réparer, d'entretenir ou d'installer le sèche-mains.

DANGER

Veiller à mettre cet appareil à la terre correctement afin d'éviter un risque de choc électrique grave, voire mortel.

- Ce sèche-mains doit être mis à la terre correctement pour fonctionner en toute sécurité. Un point de raccordement à la terre est identifié sur la base de fixation murale du sèche-mains.
- Nous recommandons une protection par disjoncteur de fuite à la terre dans les endroits mouillés ou humides, ou si les normes locales l'exigent.

AVERTISSEMENT

Un risque d'incendie, de blessures ou de dommages matériels est possible en cas d'inobservation des codes locaux, du code national de l'électricité ou des recommandations de sécurité.

- N'utiliser que le type d'alimentation électrique (en matière de tension et fréquence) spécifié pour le modèle de sèche-mains en cours d'installation.
- Raccorder le sèche-mains au tableau de distribution adapté le plus proche.
- Pour limiter les chutes de tension et garantir un fonctionnement efficace, utiliser du fil correspondant au calibre exigé par le code local ou le code national de l'électricité.
- Ne pas raccorder l'appareil à un circuit de dérivation protégé par un disjoncteur ou un fusible de plus de 15 ampères. Cette exigence est stipulée par l'article 210-20 du code national de l'électricité.
- Pour se conformer à l'homologation Underwriters Laboratories, Inc. (UL), tous les modèles automatiques de sèche-mains doivent être installés sur un circuit dédié de 15 ampères.
- Faire passer l'ensemble du câblage sur site à l'écart des pièces mobiles qui sont à l'intérieur du sèche-mains.

ATTENTION

Un montage incorrect peut provoquer des accidents corporels et des dommages matériels.

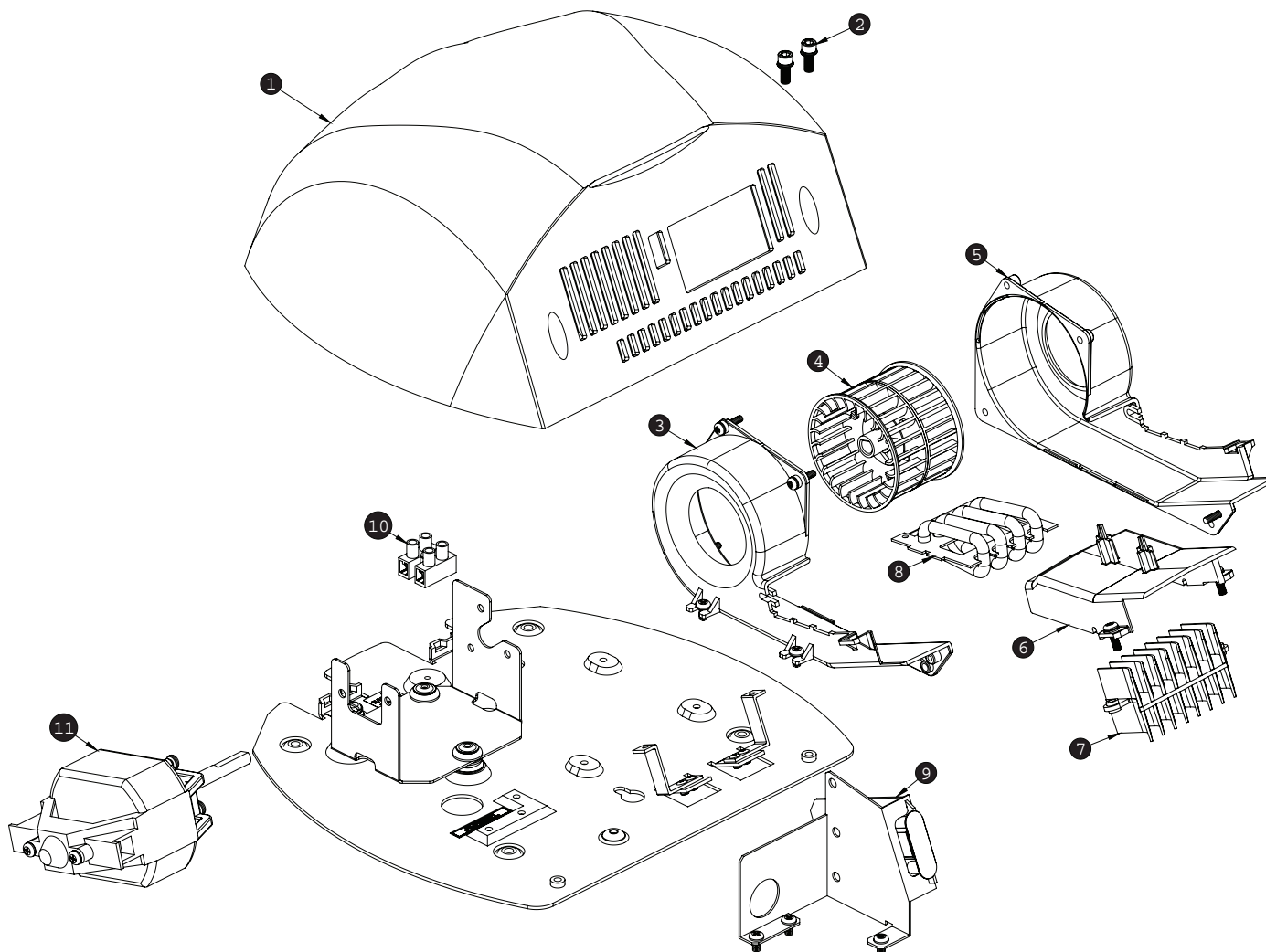
- Suivre les recommandations concernant la hauteur de pose du tableau 1.

Déballage

1. Enlever tous les produits d'emballage. Il est recommandé de les recycler.
2. Sortir le sèche-mains du carton avec précaution, en veillant à ne pas le faire tomber.
3. Vérifier soigneusement qu'aucun dommage n'est survenu durant le transport. Examiner les pièces pour vérifier si certaines sont desserrées, manquantes ou endommagées. Si le sèche-mains est endommagé, en informer immédiatement le concessionnaire qui l'a vendu.

Liste des pièces

Figure 1 – Liste des pièces détachées pour le modèle de sèche-mains LN



Pour les pièces détachées,
consulter www.WorldDryer.com

Fournir les renseignements suivants :

- Numéro de modèle
- Numéro de série
- Description et numéro de la pièce figurant sur la liste des pièces

#	Description	Numéro de pièce	Qté
1	Kit de capot	20-834K	1
2	Vis de capot	46-006490	2
3	Carter de la soufflante côté gauche	47-006372	1
4	Roue de la soufflante	22-006377	1
5	Carter de la soufflante côté droit	47-006371	1
6	Couvercle de la soufflante	47-006373	1

#	Description	Numéro de pièce	Qté
7	Défecteur de sortie d'air	12-055881	1
8	Élément de chauffage	21-055638K	1
9	Carte de circuits imprimés	16-055560K	1
10	Bornier	15-006531	1
11	Kit de moteur	32-056450K	1

Installation

1. Couper la source d'alimentation électrique.
2. Enlever les deux vis de montage du capot. Enlever le capot du sèche-mains.
3. Placer la base du sèche-mains sur le mur à l'emplacement désiré. Se reporter au tableau 1 pour déterminer la hauteur de montage recommandée. Pour deux sèche-mains ou plus, observer une distance minimale de séparation entre eux de 60 cm (24 po) de centre à centre. Marquer l'emplacement des quatre trous des boulons de montage et le trou d'entrée du câble.
4. Pour un câblage encastré, acheminer le câble d'alimentation vers la partie à défoncer de la plaque de la base du sèche-mains et le fixer au moyen d'un serre-câble adapté. Le sèche-mains nécessite deux conducteurs d'alimentation plus un fil supplémentaire de mise à la terre.
5. Pour un câblage en surface, enlever la partie à enfoncer située en bas à gauche du capot. Acheminer le câble d'alimentation conformément au code local à travers la partie enfoncée et le fixer solidement au support. Le sèche-mains nécessite deux conducteurs d'alimentation plus un fil supplémentaire de mise à la terre.
6. Fixer le dispositif solidement au mur. Sur des murs ou des montants en bois, utiliser des vis n° 16 d'une longueur adaptée pour assurer une pénétration du montant d'au moins 1 po (25 mm). Sur des murs en maçonnerie, utiliser des boulons ou des ancrages à expansion pour des vis de 1/4 po (6 mm) de longueur adaptée pour assurer une pénétration de 1/4 po (6 mm) de plus que les ancrages. Caler le dispositif si nécessaire pour que la plaque de la base soit à niveau et à plat contre le mur.
7. Connecter les fils d'alimentation au bornier comme indiqué. Connecter le fil de mise à la terre à la plaque de la base au moyen de la vis de borne de terre.
8. Remettre le capot en place. **Ne pas trop serrer les vis.**

TOUTE INSTALLATION DOIT ÊTRE EFFECTUÉE PAR UN ÉLECTRICIEN AGRÉÉ.

Tableau 1

Distances recommandées entre le sol et le bord inférieur du sèche-mains	cm (po)
Toilettes pour hommes	125 (49)
Toilettes pour femmes	119 (47)
Toilettes pour enfants de 4 à 7 ans	89 (35)
Toilettes pour enfants de 7 à 10 ans	99 (39)
Toilettes pour enfants de 10 à 13 ans	109 (43)
Toilettes pour enfants de 13 à 17 ans	119 (47)
Hauteur de montage pour personnes handicapées	104 (41)

Entretien

Un entretien adéquat doit être effectué sur les appareils au moins tous les 6 mois dans des conditions d'utilisation normale. Un nettoyage plus fréquent est nécessaire dans les environnements sales ou en cas de fort trafic.

Nettoyage

Le nettoyage et l'entretien doivent être effectués par un électricien agréé.

1. Débrancher l'alimentation électrique.
2. Utiliser le tournevis hex de sécurité pour enlever les deux vis de montage du capot.
3. Enlever le capot.
4. Nettoyer toute poussière et peluche à l'intérieur du sèche-mains.
5. Remettre le capot en place. Ne pas trop serrer les vis.
6. Essuyer le capot avec un chiffon humide. Ne jamais utiliser de produits abrasifs pour nettoyer le capot.

Câblage Daigram

Figure 2

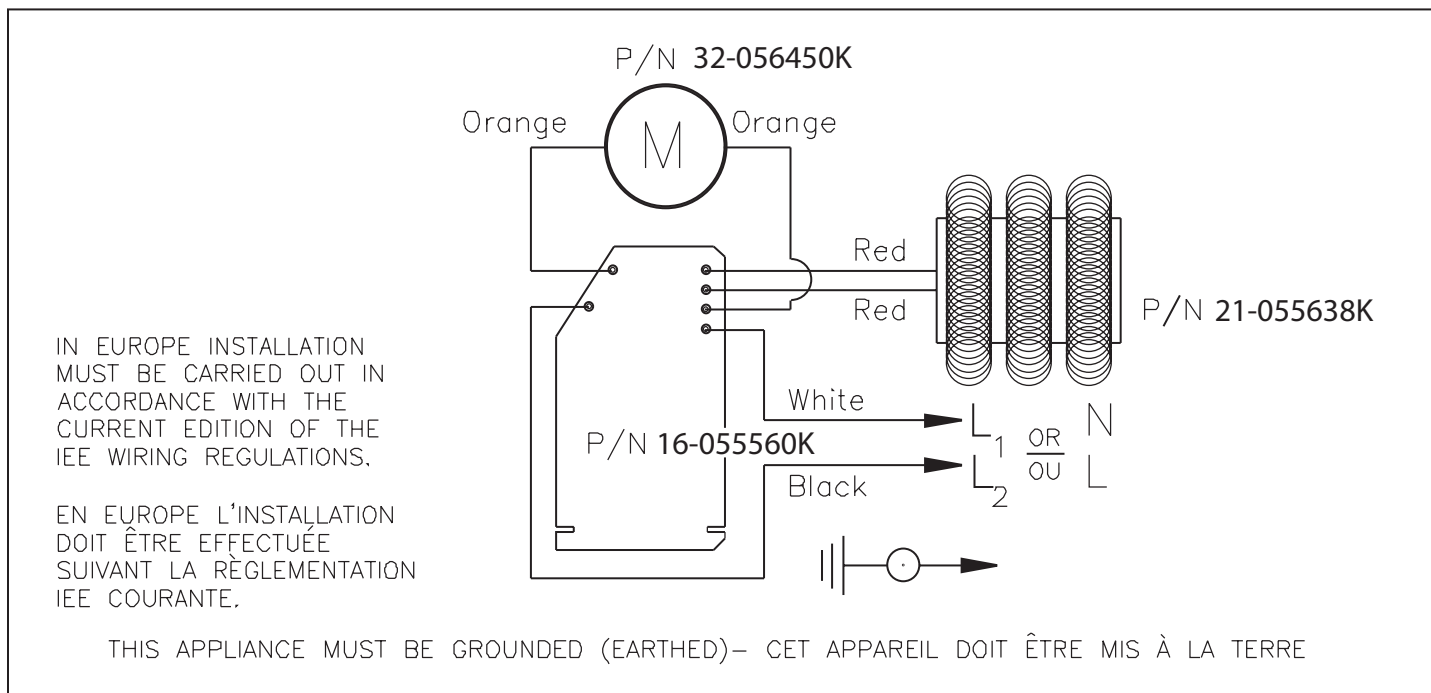


Tableau de dépannage

Symptôme	Cause(s) possible(s)	Action corrective
Le sèche-mains ne démarre pas	La carte de circuits imprimés est défectueuse	<ol style="list-style-type: none"> 1. S'assurer d'abord que le disjoncteur d'alimentation du sèche-main fonctionne 2. Si c'est le cas, couper l'alimentation et enlever le capot du sèche-mains. En prenant toutes les précautions nécessaires pour éviter un choc électrique, remettre l'alimentation et vérifier la tension sur les fils conducteurs 3. Si le sèche-mains est alimenté mais ne démarre pas, remplacer la carte de circuits-imprimés
Le sèche-mains fonctionne constamment ou est peu sensible	La carte de circuits imprimés est défectueuse	<ol style="list-style-type: none"> 1. S'assurer qu'il n'y a aucune obstruction sur la lentille ou devant la lentille du capteur 2. Couper l'alimentation. Enlever le capot du sèche-mains et les vis qui fixent la carte de circuits-imprimés. S'assurer qu'il n'y a aucune obstruction entre la lentille du capteur et les « yeux » du capteur à infrarouge 3. Si le problème persiste, remplacer la carte de circuits imprimés
L'élément de chauffage est chaud mais le moteur du ventilateur ne fonctionne pas	Le moteur du ventilateur est défectueux	<ol style="list-style-type: none"> 1. Couper l'alimentation. Enlever le capot du sèche-mains et vérifier que rien n'obstrue le caisson du ventilateur 2. Tout ventilateur endommagé doit être remplacé 3. S'il n'y a aucune obstruction, remplacer le moteur
Le moteur fonctionne mais l'élément de chauffage n'est pas chaud	Fils desserrés ou endommagés, ou pièce défectueuse	<ol style="list-style-type: none"> 1. Couper l'alimentation et enlever le capot du sèche-mains. Vérifier si des fils sont desserrés ou endommagés. Enlever le capot d'accès au carter de la soufflante. Examiner l'élément de chauffage pour vérifier qu'il ne présente ni trace de brûlure ni indication de fissure. Tout élément de chauffage endommagé doit être remplacé 2. Si l'élément de chauffage ne semble pas endommagé, le débrancher au niveau de la carte de circuits imprimés et vérifier la continuité sur les deux fils de l'élément de chauffage. Un circuit ouvert indique que le système intégral de commande de limite de la température est endommagé. Dans un tel cas, remplacer l'élément de chauffage

Garantie limitée

GARANTIE LIMITÉE DE DEUX ANS - ELECTRIC-AIRE. Le modèle de sèche-mains à air chaud World Dryer couvert dans ce manuel est garanti par World Dryer Corporation au premier utilisateur contre tout défaut de fabrication ou de matériau dans des conditions d'utilisation normales durant 2 ans à compter de la date d'achat. Toute pièce présentant, selon World Dryer, des défauts de fabrication ou de matériau et retournée, port payé, à un centre de service autorisé, sera réparée ou remplacée au choix de World Dryer, à titre de recours exclusif. Voir les procédures de réclamations sous garantie sous la rubrique « PROMPT RÉGLEMENT », ci-après. La présente garantie donne aux acheteurs des droits spécifiques qui varient selon les juridictions.

LIMITES DE RESPONSABILITÉ. Dans la mesure permise au titre de la loi applicable, World Dryer décline expressément toute responsabilité pour tout dommage accessoire et indirect. La responsabilité de World Dryer est dans tous les cas limitée et ne saurait dépasser le prix d'achat.

CLAUSE D'EXONÉRATION DE GARANTIE. World Dryer s'est diligemment efforcée d'illustrer et de décrire de manière exacte les produits de cette brochure. Cependant, ces illustrations et ces descriptions ne sont données qu'à titre d'identification et ne garantissent pas expressément ou implicitement que les produits sont de QUALITÉ MARCHANDE ou ADAPTÉS À UN USAGE PARTICULIER, ou qu'ils seront nécessairement conformes aux illustrations ou aux descriptions fournies. Sauf dispositions contraires ci-dessous, aucune garantie ou affirmation de fait, expresse ou implicite, autre que celle énoncée à la rubrique « GARANTIE LIMITÉE » ci-dessus, n'est fournie ou autorisée par World Dryer.

ADÉQUATION DU PRODUIT. Dans de nombreuses juridictions, les normes et les réglementations qui régissent les ventes, la construction, l'installation et/ou l'utilisation de produits pour certains usages peuvent être différentes de celles de régions avoisinantes. Bien que World Dryer se soit efforcée de rendre ses produits conformes à ces normes, la société ne peut en garantir la conformité et ne saurait être responsable de la manière dont les produits sont installés ou utilisés. Avant d'acheter et d'utiliser un produit, il est conseillé d'étudier son application ainsi que les normes et réglementations nationales et locales, et de s'assurer de la conformité à ces normes de ces produits, de leur installation et de leur utilisation.

Certains aspects des dénis de garantie ne sont pas applicables aux produits de consommation. Par exemple, (a) certaines juridictions n'autorisent pas l'exclusion ou la limitation des dommages accessoires ou indirects, de sorte que la limitation ou l'exclusion susmentionnée peut ne pas s'appliquer à votre cas ; (b) en outre, certaines juridictions n'autorisent pas de limite sur la durée d'une garantie implicite, par conséquent la limite susmentionnée peut ne pas s'appliquer à votre cas ; et (c) en vertu de la loi, durant la période de garantie limitée, toute garantie implicite de qualité marchande ou d'adéquation à un usage particulier applicable aux produits de consommation achetés par des consommateurs est susceptible de ne pas pouvoir être exclue ou autrement déniée. Fabriqué par World Dryer Corporation, Berkeley, Illinois 60163 États-Unis.

PROMPT RÉGLEMENT. World Dryer s'engage à effectuer de bonne foi les rectifications ou autres ajustements prévus pour tout produit qui s'avère défectueux durant la période de garantie limitée. Pour tout produit jugé défectueux durant la période de garantie limitée, contacter tout d'abord le concessionnaire où l'appareil a été acheté. Le concessionnaire fournira des instructions supplémentaires. S'il est impossible de résoudre le problème de façon satisfaisante, écrire à World Dryer à l'adresse ci-dessous, en indiquant le nom et l'adresse du concessionnaire, la date et le numéro de la facture du concessionnaire, ainsi que la nature du défaut constaté. Le titre et le risque de perte passent à l'acheteur au moment de la livraison par le transporteur. Si le produit a été endommagé pendant le transport, une réclamation doit être adressée auprès du transporteur.